

MEGalert™

Safety By Choice
Reliability By Design

Motor & Generator Protection

GP500/1000-G1/G4-DC

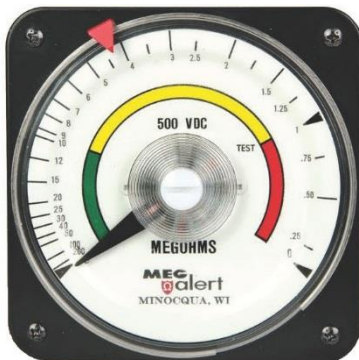


GENguard™

- AC Synchronous Generators
- DC Generators
- Standby Generators
- Hydro Generators



**Reduce Risk
to Save Lives**



10 Year

WARRANTY

Best In
Class

Automatic Insulation Resistance Tester that
monitors and protects critical-duty generators



Features: Model GP500/1000-G1/G4-DC

- DC Input model (Single Generator) (AC/DC)
- Auto/Manual test operation
- Adjustable alarm and pre-alarm set points
- Pre-alarm contacts with auto reset
- Latching Low-alarm contacts with manual reset
- Fused input and test lead output
- 500/1000 VDC test voltage
- Calibration and system test switch
- Long-life, remote LED/switch assembly
- Ground Interrupter safety interface
- 1% Meg ohm meter with 4" color coded dial
- 10 Year Warranty

Optional Features

- 2% panel meter with color coded dial
- Digital meter with 4-20 mA output signal
- 4-20 mA transducer

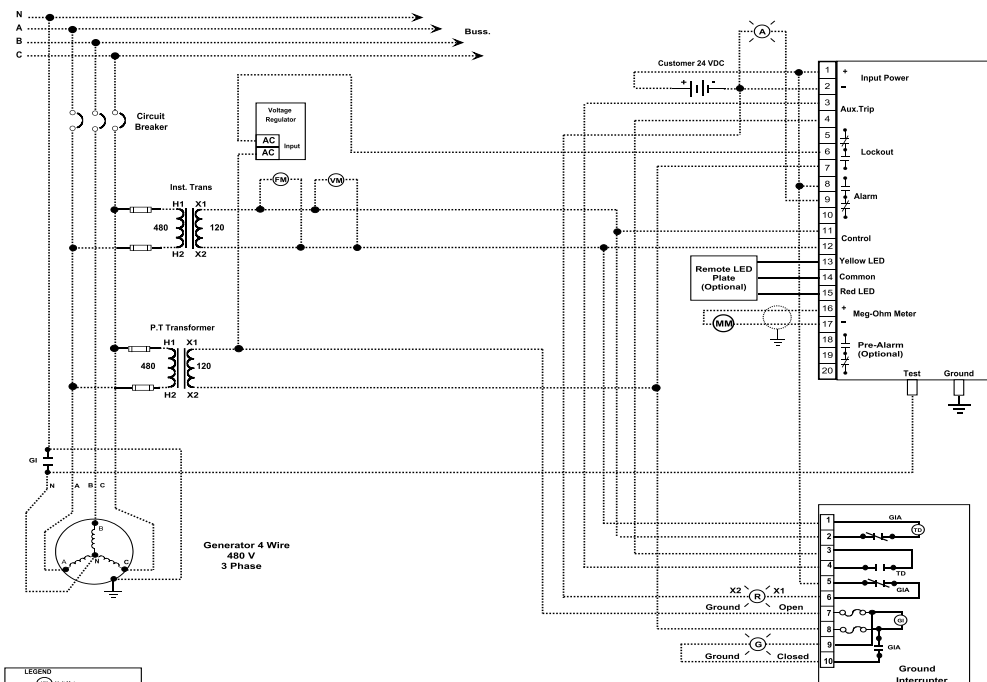
SPECIFICATIONS: Model GP500/1000-G1/G4-DC

Input Voltage: 24 VDC
 Input Current: .68 A max. @ 24 VDC
 Test Voltage: 500/1000 VDC @ 200 μ A max.
 Maximum Line Voltage: 1000 V RMS
 Control Sensing: 120 VAC, 50/60 Hz or 24 VDC
 Alarm Time Delay: 0 - 10 Seconds
 Alarm/Lockout Contacts: 2 Form C, 5A @ 240 VAC or 28 VDC
 Pre-Alarm Contact: 1 Form C, 5A @ 240 VAC or 28 VDC
 LED Display: Test On: Green
 Pre-Alarm: Yellow Flashing (optional)
 Alarm: Red Flashing
 Meter Output: 1% Analog Signal (0-200 μ A DC)
 Accuracy: 1% Overall
 Ambient Temperature: -20° F to 140° F
 Size: 4" H x 12" W x 8" D
 Weight: 4.8 lbs.
 Assembly: Meets UL 508/61010 specifications
 G1/G3: Normally Open G.I. Contactor 400/1500 A
 G2/G4: Normally Closed G.I. Contactor 500/1200 A

Operation:

GenGuard applies a current limited, fixed DC voltage to the generator's windings during idle periods. On four wire neutral grounded systems the ground interrupter automatically opens the neutral ground while the GenGuard is testing the windings. The ground interrupter safety circuit will not allow the generator to operate unless the neutral ground is closed. A solid state comparator circuit monitors measured leakage current to ground. Two adjustable set points, factory preset to customer specifications, can be programmed to signal a pre-alarm, alarm and lockout the equipment from operating if the low set point is exceeded. The manual reset feature enables a return to operational status only after the alarm condition has been corrected. GenGuard will not impair normal operation of the equipment being monitored.

GP500-G1-DC



Typical Wiring Diagram

In addition to a wide variety of standard in-stock systems, our engineers will work with you on custom applications. Call the factory for details.

8766 Frank Drive
 Minocqua, WI 54548 USA
 715-356-1499
 sales@megalert.com
 service@megalert.com
 www.MegAlert.com

U.S. Patents

9,664,716 – 9,977,067 – 10,782,357

