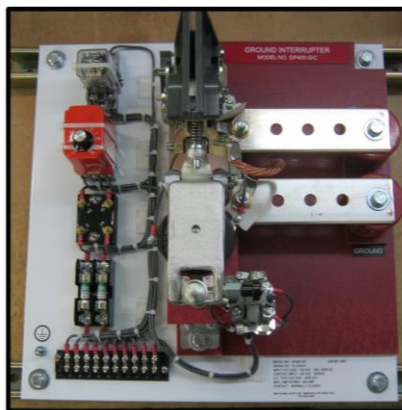




GEN guard™

- AC Synchronous Generators
- DC Generators
- Wind Turbine Generators
- Standby Generators
- Hydro Generators



**Reduce Risk
to Save Lives**



10 Year WARRANTY Best In Class

Automatic Insulation Resistance Tester that monitors and protects critical-duty generators



Features: Model GP500/1000-G1/G4-AS-D1

- Single Generator Model (AC) (DC)
- Auto/Manual test operation
- Adjustable low-alarm and pre-alarm set points
- Pre-alarm contacts with auto reset
- Latching low-alarm contacts with manual reset
- Fused input and test lead output
- 500 VDC test voltage
- Calibration and system test switch
- Long-life, remote LED/switch assembly w/10' cable
- Ground Interrupter safety interface
- Compact, lightweight enclosure
- DIN Rail mounting bracket
- Digital meter with (optional) 4-20 mA output signal
- 10 Year Warranty

Optional Features

- EZ-Mount bracket for switch assembly
- 2% panel meter with 3" color coded dial
- 4-20 mA transducer
- 1% Meg ohm meter with 4" color coded dial

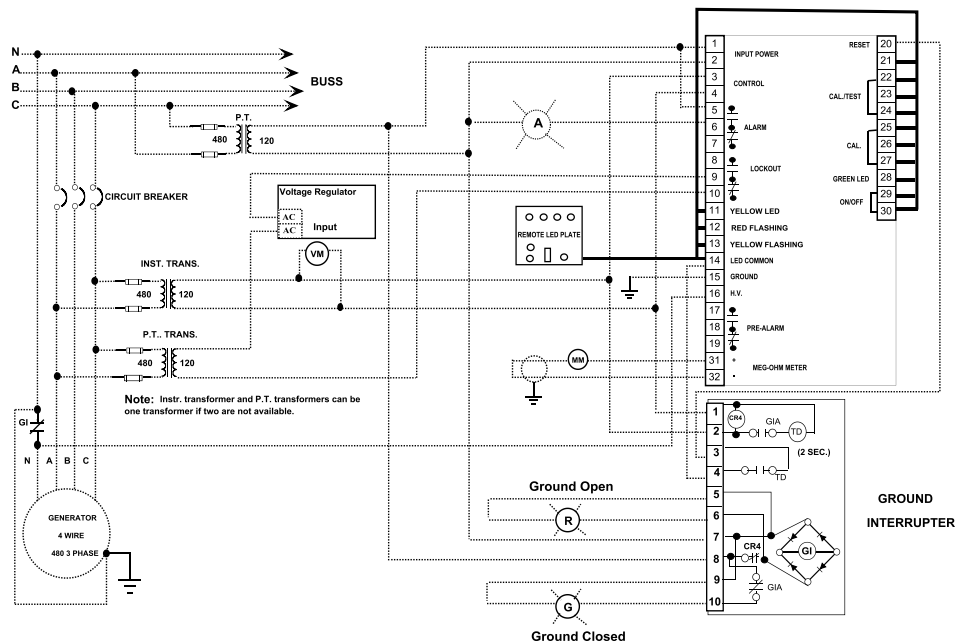
SPECIFICATIONS: Model GP500/1000-G1/G4-AS-D1

Input Voltage: 120 VAC, (optional 240 VAC), 50/60 Hz
 Input Current: .05 A max. @ 120 VAC
 Test Voltage: 500 VDC @ 200 μ A max.
 Maximum Line Voltage: 750 V RMS
 Control Sensing: 120 VAC, 50/60 Hz or 24 VDC
 Alarm Time Delay: 0 - 15 Seconds
 Alarm/Lockout Contacts: 2 Form C, 5A @ 240 VAC or 28 VDC
 Pre-Alarm Contact: 1 Form C, 5A @ 240 VAC or 28 VDC
 LED Display: Power On: Green
 Test On: Yellow
 Pre-Alarm: Yellow Flashing
 Alarm: Red Flashing
 Meter Output: 1% Digital Signal (0-200 μ A DC)
 Accuracy: 1% Overall
 Ambient Temperature: -20° F to 140° F
 Size: 2.75" H x 6" W x 4.5" D
 Weight: 1.5 lbs.
 Assembly: Meets UL 508/61010 specifications
 G1/G3: Normally Open G.I. Contactor 400/1500 A
 G2/G4: Normally Closed G.I. Contactor 500/1200 A

Operation:

GenGuard applies a current limited, fixed DC voltage to the generator's windings during idle periods. On four wire neutral grounded systems the ground interrupter automatically opens the neutral ground while the GenGuard is testing the windings. The ground interrupter safety circuit will not allow the generator to operate unless the neutral ground is closed. A solid state comparator circuit monitors measured leakage current to ground. Two adjustable set points, factory preset to customer specifications, can be programmed to signal a pre-alarm, alarm and lockout the equipment from operating if the low set point is exceeded. The manual reset feature enables a return to operational status only after the alarm condition has been corrected. GenGuard will not impair normal operation of the equipment being monitored.

GP500-G2-AS



Typical Wiring Diagram

In addition to a wide variety of standard in-stock systems, our engineers will work with you on custom applications. Call the factory for details.

8766 Frank Drive
 Minocqua, WI 54548 USA

715-356-1499

sales@megalert.com

service@megalert.com

www.MegAlert.com

U.S. Patents

9,664,716 – 9,977,067 – 10,782,357



 MegAlert, Inc. 715-356-1499	Legend Remote Alarm Meg-Ohm Meter Shielded Wires Customer Provided Wiring	Drawn By: KM Delamater Checked: R. Zeim	GP500-G2-AS Typical Wiring Diagram	Date: 08/14/2019 Scale: None
	Date: 08/14/2019 Scale: None			