

MEGalert™

Safety By Choice
Reliability By Design

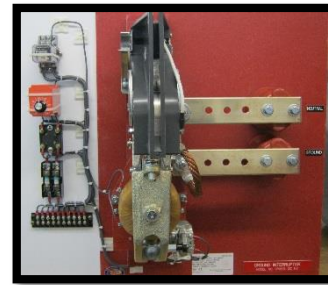
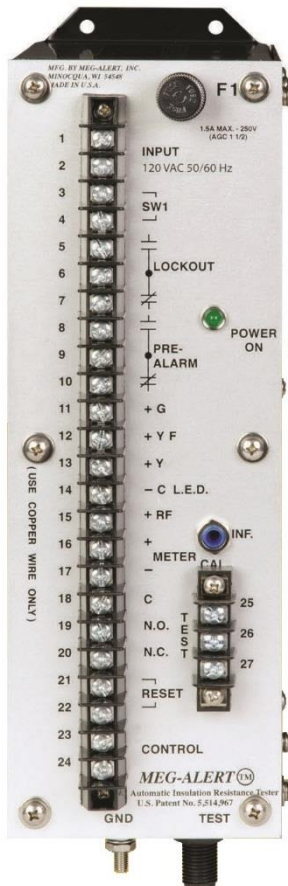
Motor & Generator Protection

GP2500/5000-G1/G4-AS
GP5000-G3/G4-HV-AS



GENguard™

- AC Synchronous Generators
- Hydro Generators
- Standby Generators



**Reduce Risk
to Save Lives**



Automatic Insulation Resistance Tester that monitors and protects critical-duty generators



Features: Model GP2500/5000-G1/G4-AS GP5000-G1/G4-HV-AS

- Single Generator Model
- Auto/Manual test operation
- Adjustable alarm and pre-alarm set points
- Latching alarm contacts with manual reset
- Pre-alarm contacts with auto reset
- Fused input and H.V. test lead
- 15 ft. two-way current-limited H.V. test lead w/plug
- 2500 VDC/5000 VDC test voltage
- Remote Calibration and system test switch
- Long-life, flashing remote LED/switch assembly w/15 ft. cable
- 1% Panel meter with 4" color coded dial
- Ground Interrupter safety interface
- 10 Year Warranty

Optional Features:

- Digital meter with 4-20 mA output signal
- 4-20 mA transducer
- EZ-Mount bracket for switch assembly

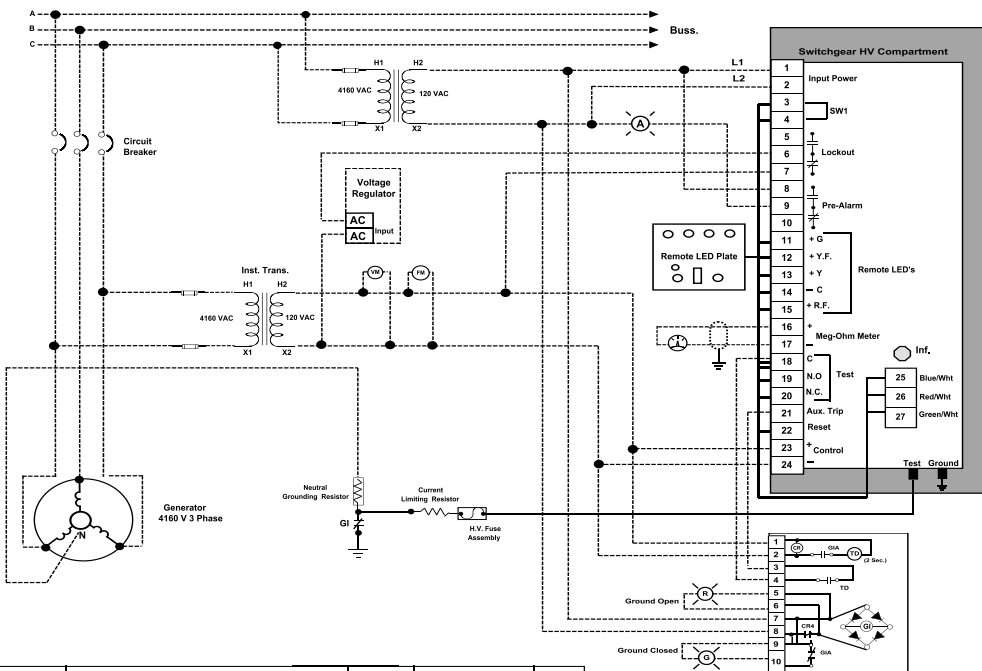
SPECIFICATIONS: Model GP2500/5000-G1/G4-AS GP5000-G1/G4-HV-AS

- Input Voltage: 120 VAC, (optional 240 VAC), 50/60 Hz
- Input Current: .15 A max. @ 120 VAC
- Test Voltage: 2500/5000 VDC @ 350 µA max.
- Maximum Line Voltage: 7200 V RMS (HV model – 15 KV)
- Control Sensing: N/O Contact or 120 VAC, 50/60 Hz
- Alarm Time Delay: 0 – 2 Minutes
- Alarm/Lockout Contacts: 1 Form C, 5A @ 240 VAC or 28 VDC
- Pre-Alarm Contact: 1 Form C, 5A @ 240 VAC or 28 VDC
- LED Display: Power On: Green
Test On: Yellow
Pre-Alarm: Yellow Flashing
Alarm: Red Flashing
- Meter Output: 1% Analog Signal
- Accuracy: 1% Overall
- Ambient Temperature: -20° F to 140° F
- Size: 12" H x 4" W x 8.50" D
- Weight: 7.5 lbs.
- Assembly: Meets UL 508/61010 specifications
G1/G3: Normally Open G.I. Contactor 200/400 A
G2/G4: Normally Closed G.I Contactor 200/600 A

Operation:

GenGuard applies a current limited, fixed DC voltage to the generator's windings during idle periods. On four wire neutral grounded systems the ground interrupter automatically opens the neutral ground while the GenGuard is testing the windings. The ground interrupter safety circuit will not allow the generator to operate unless the neutral ground is closed. A solid state comparator circuit monitors measured leakage current to ground. Two adjustable set points, factory preset to customer specifications, can be programmed to signal a pre-alarm, alarm and lockout the equipment from operating if the low set point is exceeded. The manual reset feature enables a return to operational status only after the alarm condition has been corrected. GenGuard will not impair normal operation of the equipment being monitored.

GP5000-G2-AS



Typical Wiring Diagram

In addition to a wide variety of standard in-stock systems, our engineers will work with you on custom applications. Call the factory for details.

8766 Frank Drive
Minocqua, WI 54548 USA
715-356-1499
sales@megalert.com
service@megalert.com
www.MegAlert.com

U.S. Patents
9,664,716 – 9,977,067 – 10,782,357

