

MEG alert™

Safety By Choice
Reliability By Design

Motor & Generator Protection

GP500/1000-MU-AS-D



MOTOR guard™

- AC Induction Motors
- AC Synchronous Motors
- DC Motors
- Wound Rotor Motors
- Servo Motors
- Submersible Motors



**Reduce Risk
to Save Lives**



Automatic Insulation Resistance Tester that monitors and protects critical-duty motors



Features: Model GP500-MU-AS/1000-MU-AS-D SPECIFICATIONS: Model GP500-MU-AS/1000-MU-AS-D

- Single Motor Model
- Auto/Manual test operation
- Adjustable alarm set point
- Adjustable pre-alarm set point
- Latching alarm contacts with manual reset
- Fused input and test output
- 500/1000 VDC test voltage
- Long-life, remote LED/switch assembly
- Compact, lightweight enclosure
- DIN Rail mounting bracket
- Digital meter with 4-20 mA output signal
- 10 Year Warranty

Optional Features

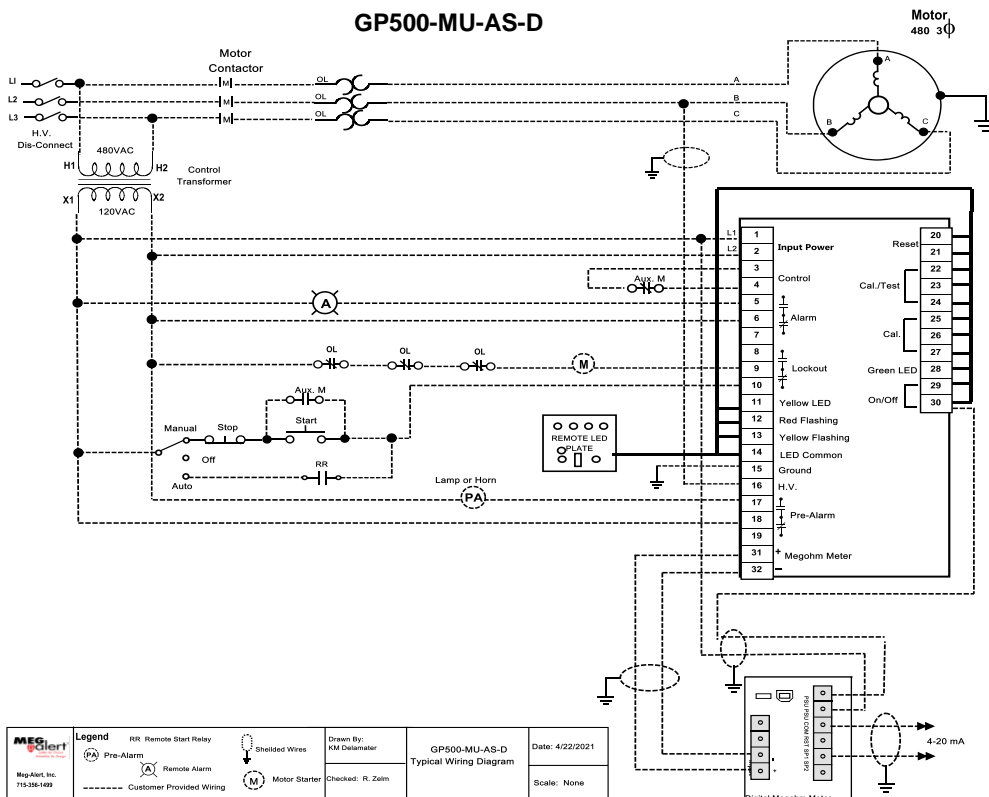
- EZ-Mount bracket for switch assembly
- 1% switchboard meter with 4" color coded dial
- 2% Meg ohm meter with 3" color coded dial
- 4-20 mA transducer

- Input Voltage: 120 VAC, (optional 240 VAC), 50/60 Hz
- Input Current: .05 A max. @ 120 VAC
- Test Voltage: 500/1000 VDC @ 200 μ A max.
- Maximum Line Voltage: 1000 V RMS
- Control Sensing: N/C Contact
- Alarm Time Delay: 0 - 10 Seconds
- Alarm/Lockout Contacts: 2 Form C, 5A @ 240 VAC or 28 VDC
- Pre-Alarm Contact: 1 Form C, 5A @ 240 VAC or 28 VDC
- LED Display: Power On: Green
- Test On: Yellow
- Pre-Alarm: Yellow Flashing
- Alarm: Red Flashing
- Meter Output: 2% Analog Signal
- Accuracy: 2% Overall
- Ambient Temperature: -20° F to 140° F
- Size: 2.75" H x 6" W x 4.5" D
- Weight: 1.5 lbs.
- Assembly: Meets UL 508/61010 specifications

Operation:

MotorGuard applies a current limited, fixed DC voltage to the motor windings during idle periods. A solid state comparator circuit monitors measured leakage current to the ground. Two adjustable set points, factory preset to customer specifications, can be programmed to signal a pre-alarm, alarm and lockout the equipment from operating if the low set point is exceeded. The manual reset feature enables a return to operational status only after the alarm condition has been corrected. MotorGuard will not impair normal operation of the equipment being monitored.

GP500-MU-AS-D



Typical Wiring Diagram

In addition to a wide variety of standard in-stock systems, our engineers will work with you on custom applications. Call the factory for details.

8766 Frank Drive
Minocqua, WI 54548 USA
715-356-1499
sales@megalert.com
service@megalert.com
www.MegAlert.com
U.S. Patents

9,664,716 – 9,977,067 – 10,782,357

