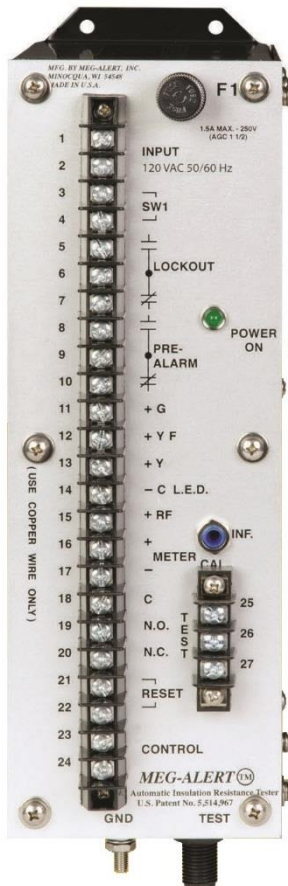




GEN guard™

- AC Synchronous Generators
- Hydro Generators
- Standby Generators



**Reduce Risk
to Save Lives**



Automatic Insulation Resistance Tester that monitors and protects critical-duty generators



Features: Model GP5000-G-HV-AS-D1

- Single Generator Model
- Auto/Manual test operation
- Adjustable alarm and pre-alarm set points
- Latching alarm contacts with manual reset
- Pre-alarm contacts with auto reset
- Fused input and H.V. test lead
- 15 ft. two-way current-limited H.V. test lead w/plug
- 2500 VDC/5000 VDC test voltage
- Remote Calibration and system test switch
- Long-life, flashing remote LED/switch assembly w/15 ft. cable
- Digital meter with 4-20 mA output signal
- Ground Interrupter safety interface
- 10 Year Warranty

Optional Features:

- 1% Panel meter with 4" color coded dial
- 4-20 mA transducer
- EZ-Mount bracket for switch assembly

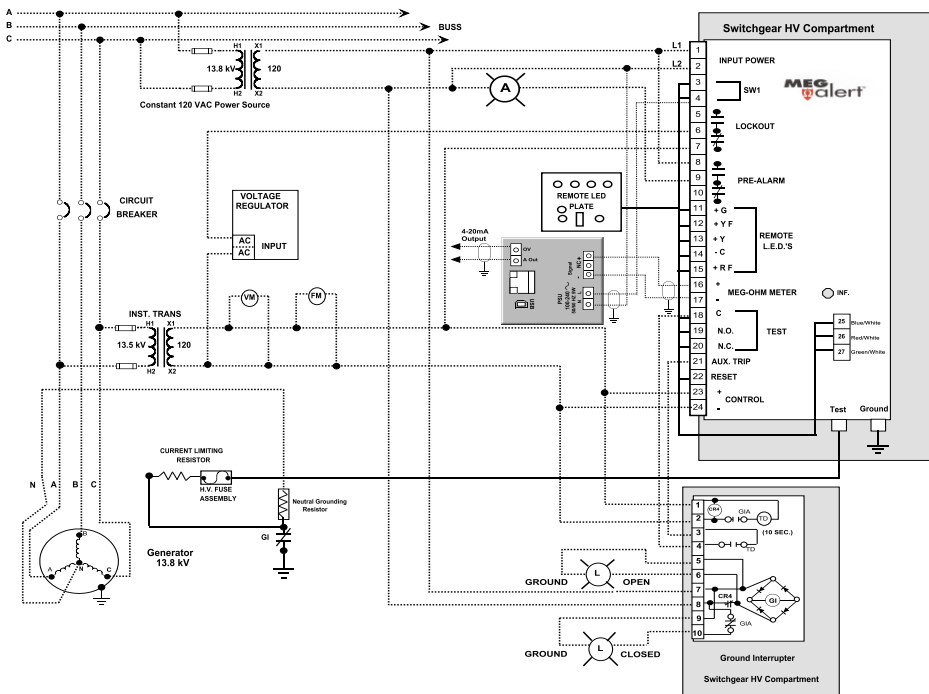
SPECIFICATIONS: Model GP5000-G-HV-AS-D1

Input Voltage: 120 VAC, (optional 240 VAC), 50/60 Hz
 Input Current: .15 A max. @ 120 VAC
 Test Voltage: 2500/5000 VDC @ 700 μ A max.
 Maximum Line Voltage: 7200 V RMS (HV model – 15 KV)
 Control Sensing: N/O Contact or 120 VAC, 50/60 Hz
 Alarm Time Delay: 0 – 2 Minutes
 Alarm/Lockout Contacts: 1 Form C, 5A @ 240 VAC or 28 VDC
 Pre-Alarm Contact: 1 Form C, 5A @ 240 VAC or 28 VDC
 LED Display: Power On: Green
 Test On: Yellow
 Pre-Alarm: Yellow Flashing
 Alarm: Red Flashing
 Meter Output: 1% Digital Signal
 Accuracy: 1% Overall
 Ambient Temperature: -20° F to 140° F
 Size: 12" H x 4" W x 8.50" D
 Weight: 7.5 lbs.
 Assembly: Meets UL 508/61010 specifications

Operation:

GenGuard applies a current limited, fixed DC voltage to the generator's windings during idle periods. On four wire neutral grounded systems the ground interrupter automatically opens the neutral ground while the GenGuard is testing the windings. The ground interrupter safety circuit will not allow the generator to operate unless the neutral ground is closed. A solid state comparator circuit monitors measured leakage current to ground. Two adjustable set points, factory preset to customer specifications, can be programmed to signal a pre-alarm, alarm and lockout the equipment from operating if the low set point is exceeded. The manual reset feature enables a return to operational status only after the alarm condition has been corrected. GenGuard will not impair normal operation of the equipment being monitored.

GP5000-G-HV-AS-D1



Typical Wiring Diagram

In addition to a wide variety of standard in-stock systems, our engineers will work with you on custom applications. Call the factory for details.

8766 Frank Drive
 Minocqua, WI 54548 USA
 715-356-1499
 sales@megalert.com
 service@megalert.com
 www.MegAlert.com

U.S. Patents

9,664,716 – 9,977,067 – 10,782,357

