



## GEN guard™

- Wind Turbine Generators
- AC Induction Generators
- DC Generators



**Reduce Risk  
to Save Lives**



Automatic Insulation Resistance Tester that monitors and protects critical-duty generators



### Features: Model GP500-WG

- Auto/Manual test operation
- Adjustable alarm set point
- Latching alarm contacts with manual reset
- Fused input and test output
- 500 VDC test voltage
- Long-life, remote LED assembly
- Compact, lightweight enclosure
- DIN Rail mounting bracket
- 10 Year Warranty

### Optional Features:

- 2% Panel Meg-Ohm meter with color coded dial
- 1% Switchboard meter with 4" color coded dial
- 4-20 mA transducer
- Auto alarm reset

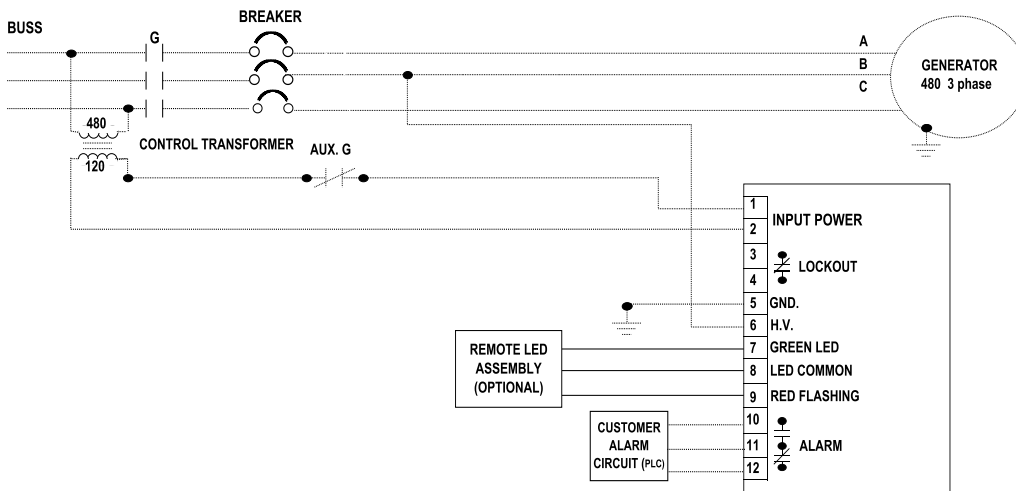
### SPECIFICATIONS: Model GP500-WG

Input Voltage: 120 VAC, (optional 240 VAC), 50/60 Hz  
 Input Current: .05 A max. @ 120 VAC  
 Test Voltage: 500 VDC @ 200 µA max.  
 Maximum Line Voltage: 750 V RMS  
 Control Sensing: N/C Contact  
 Alarm Time Delay: 0 - 15 Seconds  
 Alarm/Lockout Contacts: 1 Form C, 5A @ 240 VAC or 28 VDC  
 LED Display: Test On: Green  
 Alarm: Red Flashing  
 Lockout: N/C Contact  
 Accuracy: 2% Overall  
 Ambient Temperature: -20° F to 140° F  
 Size: 2.75" H x 2.85" W x 4.50" D  
 Weight: 1 lbs.  
 Assembly: Meets UL 508/61010 specifications

### Operation:

GenGuard applies a current limited, fixed DC voltage to the generator's windings during idle periods. On four wire neutral grounded systems the ground interrupter automatically opens the neutral ground while the GenGuard is testing the windings. The ground interrupter safety circuit will not allow the generator to operate unless the neutral ground is closed. A solid state comparator circuit monitors measured leakage current to ground. Two adjustable set points, factory preset to customer specifications, can be programmed to signal a pre-alarm, alarm and lockout the equipment from operating if the low set point is exceeded. The manual reset feature enables a return to operational status only after the alarm condition has been corrected. GenGuard will not impair normal operation of the equipment being monitored.

GP500-WG



### Typical Wiring Diagram

In addition to a wide variety of standard in-stock systems, our engineers will work with you on custom applications. Call the factory for details.

8766 Frank Drive  
 Minocqua, WI 54548 USA  
 715-356-1499  
 sales@megalert.com  
 service@megalert.com  
 www.MegAlert.com

U.S. Patents

9,664,716 – 9,977,067 – 10,782,357

<b>LEGEND</b> Meg-Ohm Meter Generator Breaker Customer Provided Wiring	<b>GP500-WG</b> Typical Wiring Diagram		DRAWN BY KTeSch	DATE 4/24/20
	Meg-Alert, Inc. 715-356-1499	CHECKED R. Zelm	SCALE None	SHEET NO. 1

